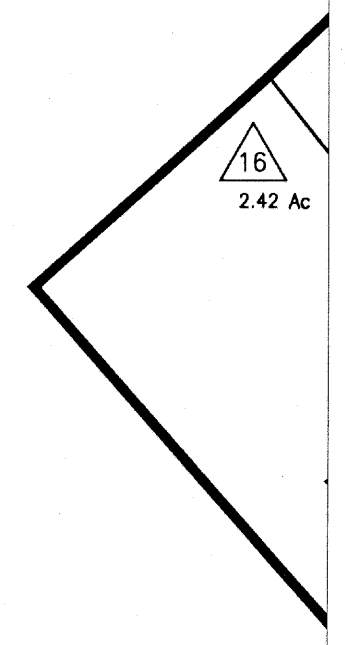
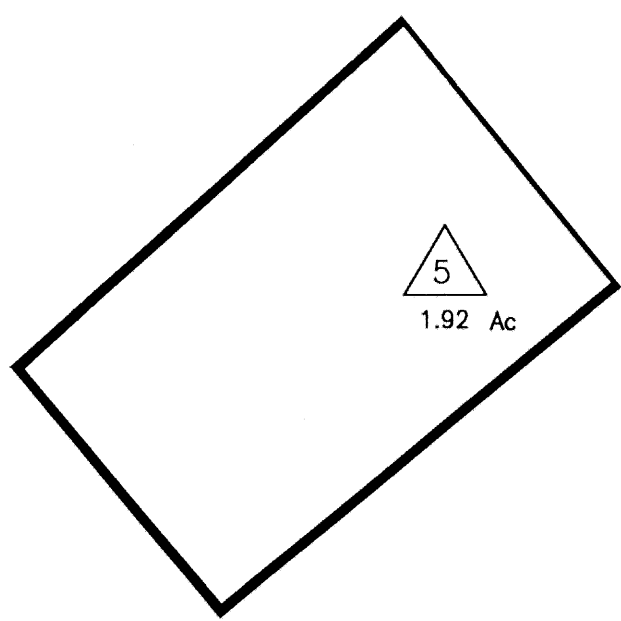


See Meadow Bluff District
Map 63, 1" = 400'



P/O
63L-1

<p>For Tax Purposes Only</p> <p>Greenbrier County Assessor's Office</p>	<p>Legend</p> <table border="0"> <tr> <td>Property line</td> <td>=====</td> <td>Parcel number</td> <td>⑩</td> </tr> <tr> <td>Roads</td> <td>=====</td> <td>Lot number</td> <td>(5)</td> </tr> <tr> <td>Streams</td> <td>-----</td> <td>Consolidated</td> <td>△</td> </tr> <tr> <td>Land hook</td> <td>Z</td> <td>Parcel number</td> <td></td> </tr> <tr> <td></td> <td></td> <td>Property line</td> <td>—————</td> </tr> </table>	Property line	=====	Parcel number	⑩	Roads	=====	Lot number	(5)	Streams	-----	Consolidated	△	Land hook	Z	Parcel number				Property line	—————	<p>Restrictions</p> <p>All tax maps created under the provisions of reappraisal legislation are the property of the State of West Virginia and the reproduction, copying, distribution or sale of such tax maps or any copies thereof without the written permission of the State Tax Commissioner is prohibited by law.</p>	<p>plotted Nov 2005</p>	<table border="1"> <tr> <td></td> <td>47G</td> <td>60D</td> </tr> <tr> <td></td> <td>60G</td> <td>60H</td> </tr> <tr> <td>60K</td> <td>60L</td> <td>60M</td> </tr> </table>		47G	60D		60G	60H	60K	60L	60M	<p>Greenbrier County State of West Virginia Lewisburg, West Virginia</p>	<p>Meadow Bluff District 60G scale: 1 inch = 100 feet</p>
Property line	=====	Parcel number	⑩																																
Roads	=====	Lot number	(5)																																
Streams	-----	Consolidated	△																																
Land hook	Z	Parcel number																																	
		Property line	—————																																
	47G	60D																																	
	60G	60H																																	
60K	60L	60M																																	