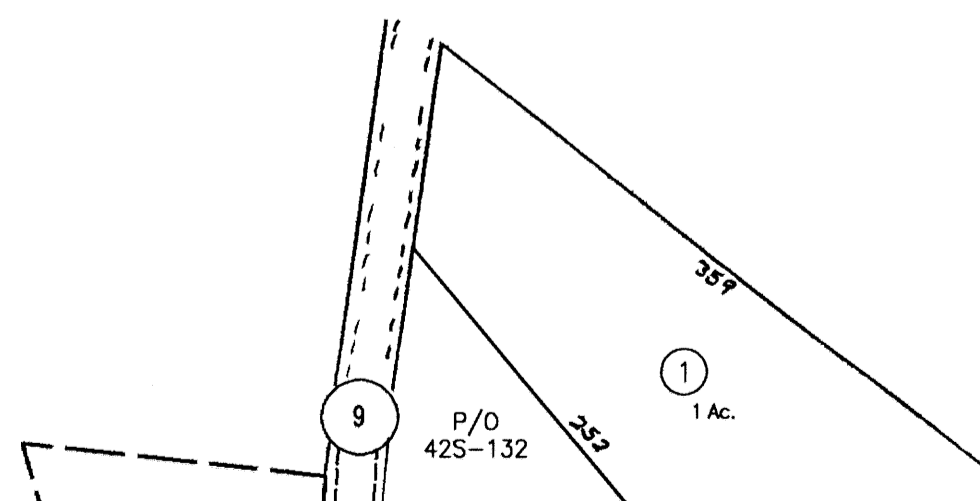


See Williamsburg District
Map 42, 1" = 400'

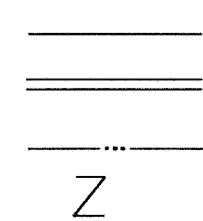


For Tax Purposes Only

Greenbrier County
Assessor's Office

Legend

Property line
Roads
Streams
Land hook



Parcel number (10)
Lot number (5)
Consolidated Parcel number (triangle)
Property line (thick line)

Restrictions

All tax maps created under the provisions of reappraisal legislation are the property of the State of West Virginia and the reproduction, copying, distribution or sale of such tax maps or any copies thereof without the written permission of the State Tax Commissioner is prohibited by law.

plotted Nov 2005



	42M	
	42S	43N

Greenbrier County
State of West Virginia
Lewisburg, West Virginia

Williamsburg
District
42M
scale: 1 inch = 100 feet