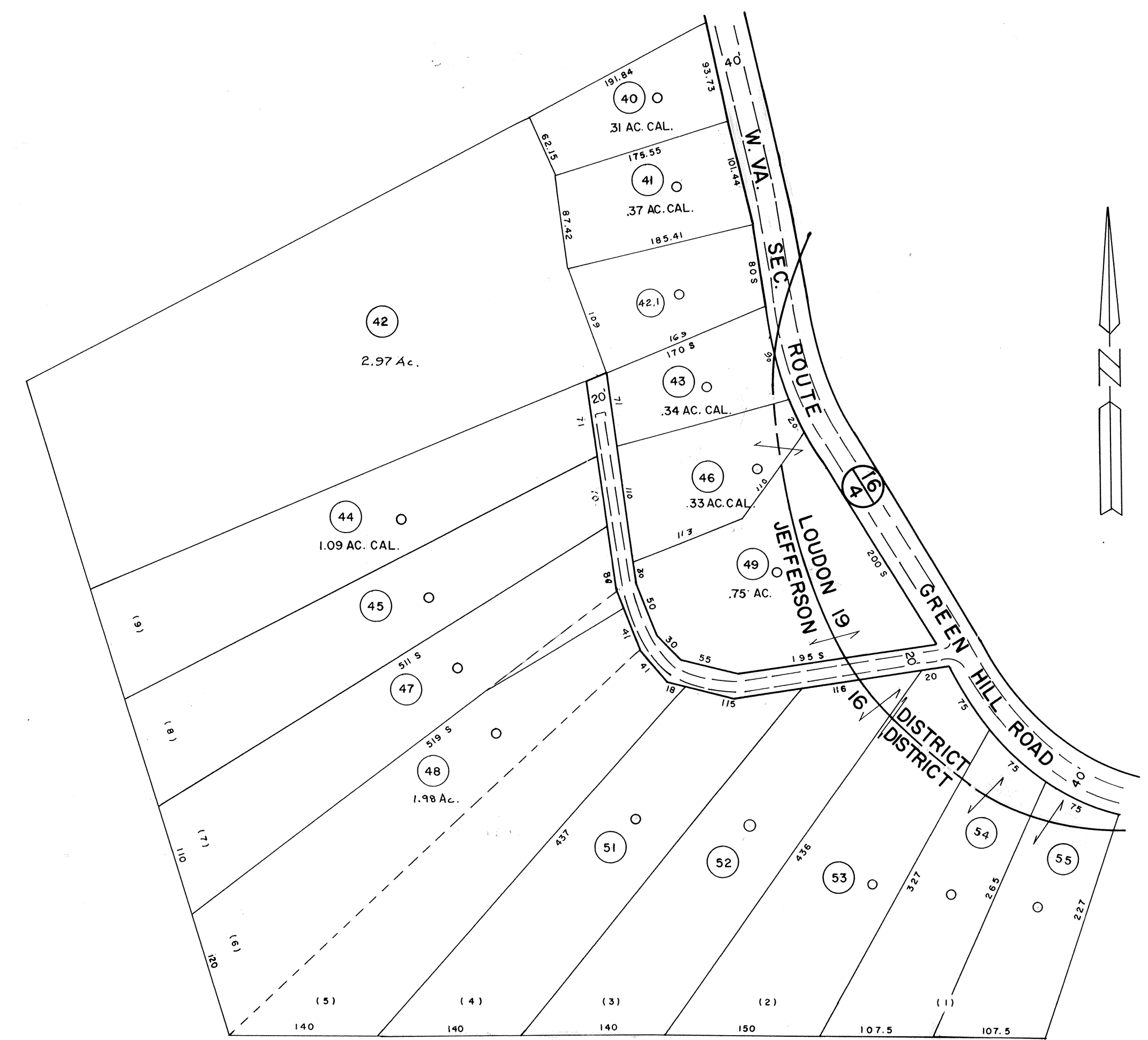
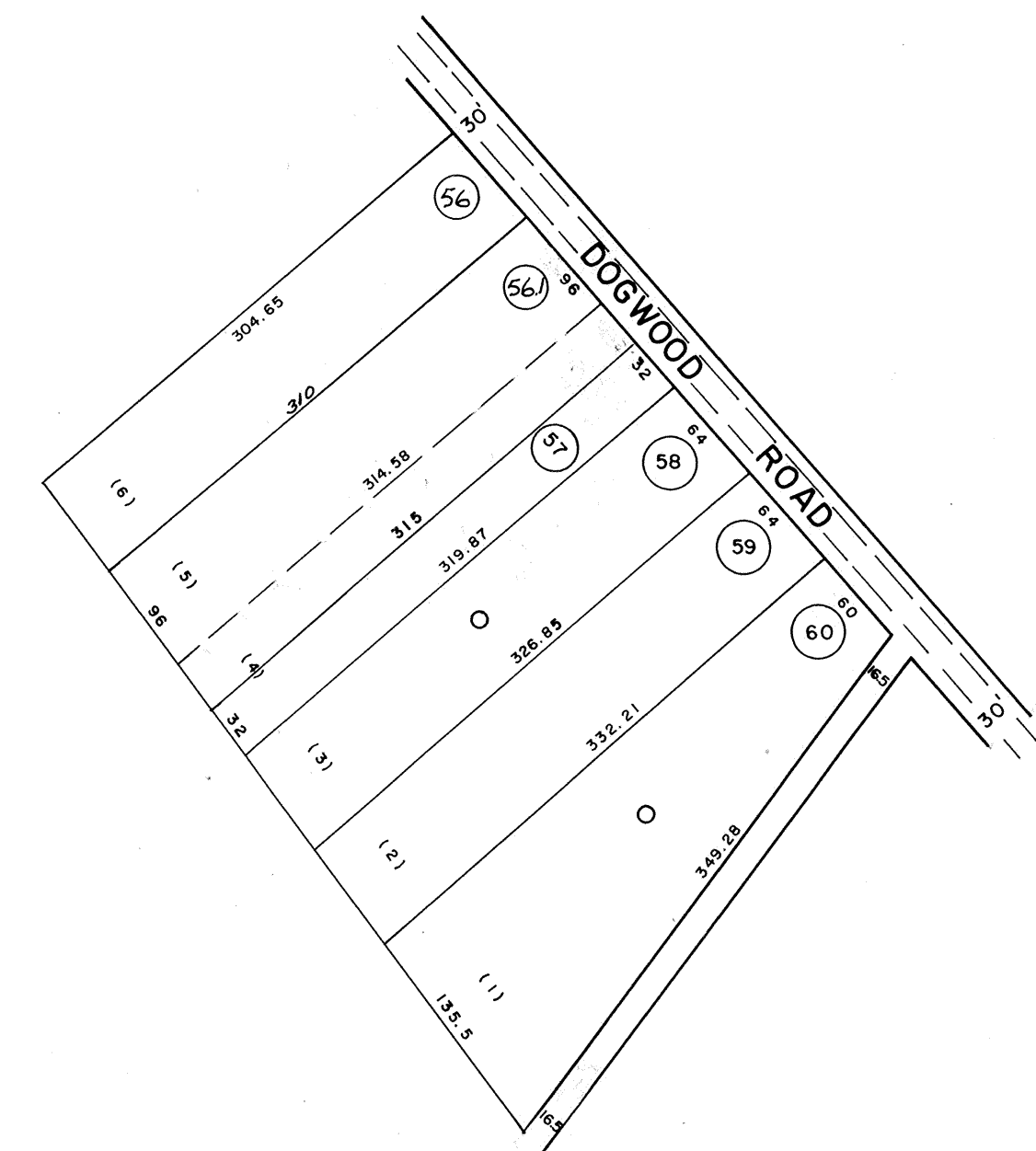




INSET I



INSET 2



INSET 3

DRAFTED BY: C.T.
CHECKED BY: ES

FOR TAX PURPOSES ONLY

PREPARED BY
AERO SERVICE CORPORATION
A DIVISION OF LITTON INDUSTRIES
210 E. COURTLAND ST. PHILADELPHIA, PA. 19120

AMERICAN AIR SURVEYS, INC.
907 PENN AVENUE, PITTSBURGH 22, PA.
NEW YORK ATLANTA

Legend

Property line	Original lot line
Right of way line	Deed lot number (in parenthesis)
Edge of pavement or roadway	Parcel or index number (in circle)
Corporation line	Improvement
District line	Railroad
County line	Scaled Dimension
Stream	Original block number
	CALCULATED AREA

Revisions

1	9/10/72	JWP	5	O.G.I.S. 8-1-93	J.E.B.	17
2	11 Aug 73	RAW	10	OGIS 7/2/96	DSH	18
3	9-29-75	3C	11	6-1-97	J.E.B.	19
4	2/28/77	T.C.	12	11-07-02	J.A.B.	20
5	1/29/79		13	12-7-06	J.A.B.	21
6	Revised to 7-1-82		14	5-1-12	J.A.B.	22
7	Revised to 7-1-85		15	K.C.A. 1-1-2014		23
8	Revised to 7-1-87		16			24

KANAWHA COUNTY
Office of Assessor
CHARLESTON, WEST VIRGINIA

JEFFERSON DISTRICT - 16

Map No. 17 C

Photo No.: 156, 158 Scale: 1"=100'
Date, Photography: April, May 1964 Date, Map: 9-30-65