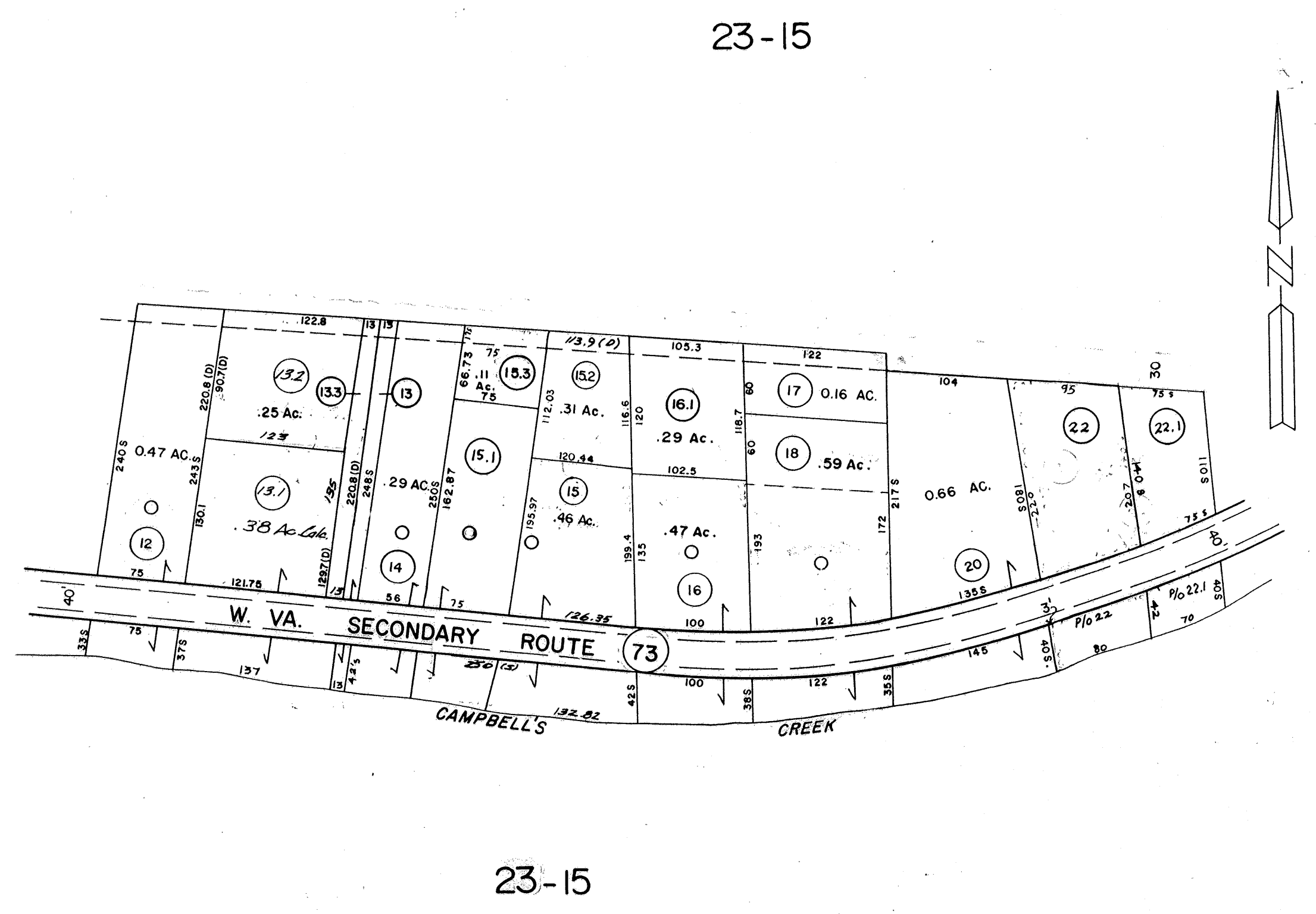
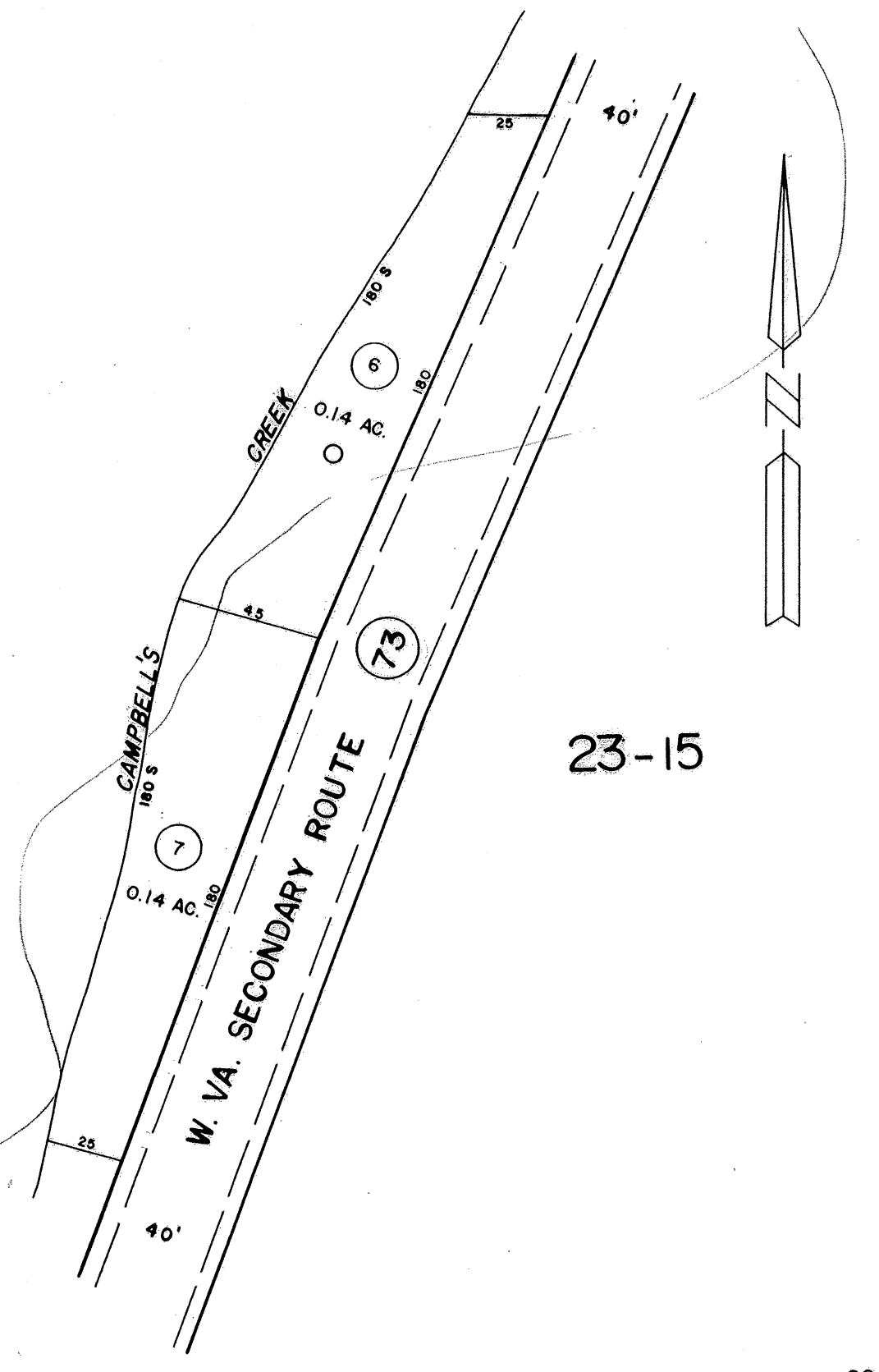


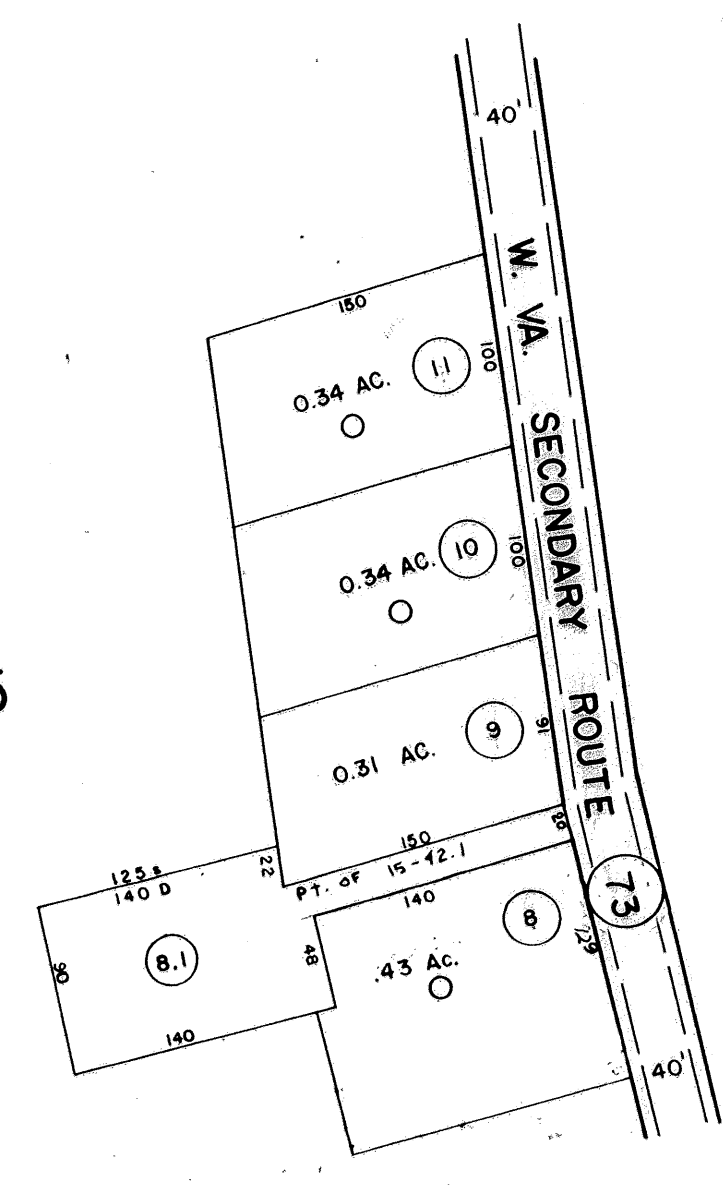
INSET 1
SCALE: 1" = 100'



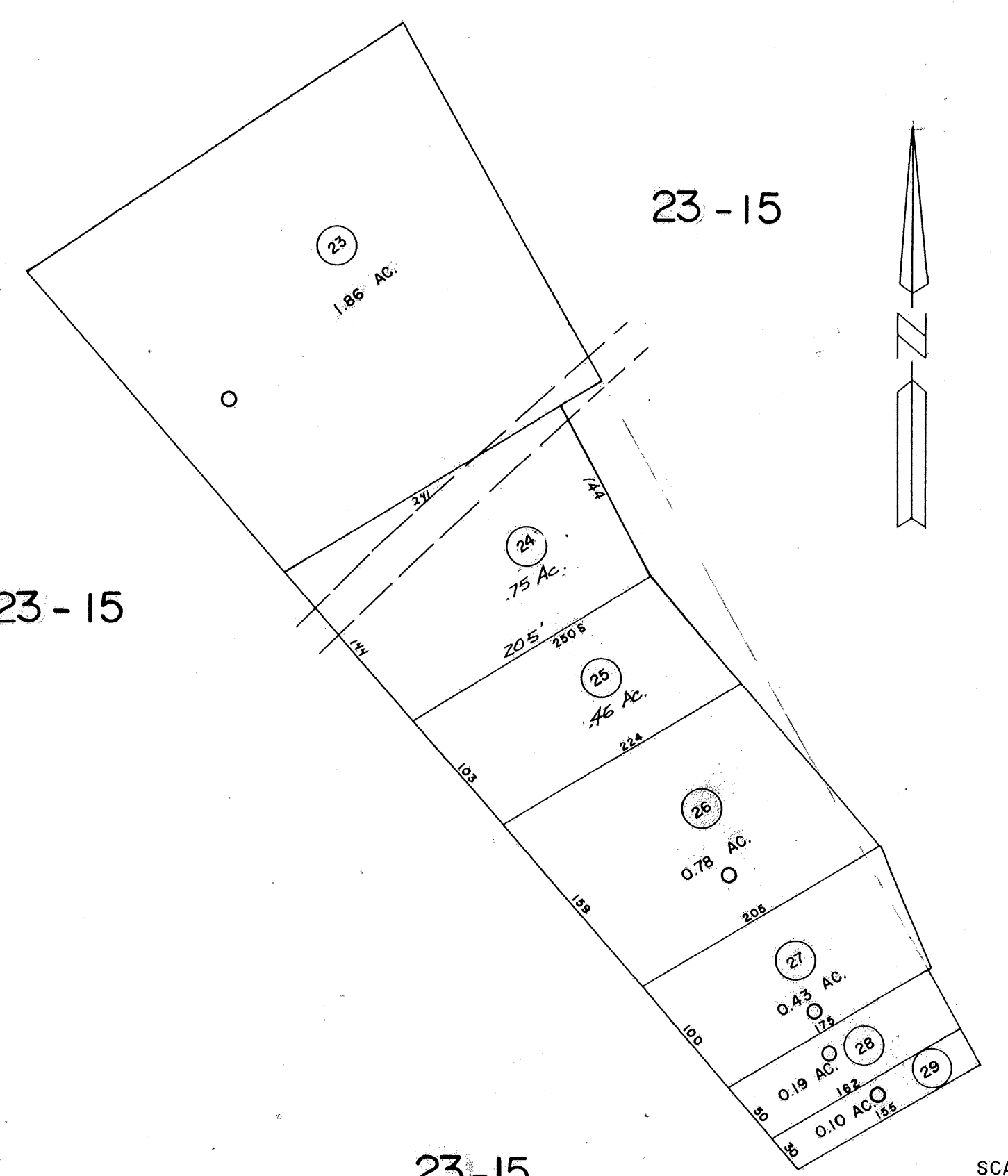
INSET 2
SCALE: 1" = 100'



INSET 3
SCALE: 1" = 50'



INSET 4
SCALE: 1" = 100'



INSET 5
SCALE: 1" = 100'

DRAFTED BY
CHECKED BY

FOR TAX PURPOSES ONLY

PREPARED BY

AERO SERVICE CORPORATION
A DIVISION OF LITTON INDUSTRIES
210 E. COURTLAND ST., PHILADELPHIA, PA 19120

AMERICAN AIR SURVEYS, INC.
907 PENN AVENUE, PITTSBURGH 22, PA.
NEW YORK ATLANTA

Legend

Property line	Original lot line	(15)
Right-of-way line	Deed lot number (in parenthesis)	0
Edge of pavement or roadway	Parcel or index number (in circle)	5
Corporation line	Improvement	20
District line	Railroad	21
County line	Scaled Dimension	22
Stream	Original block number	23

Revisions

1	FEB 74	PAM	9'	7-1-97	J.E.B.	17
2	11-6-75	DS	10	2-16-2000	J.A.B.	18
3	2/1/77	SLR	11	5-8-06	J.A.B.	19
4	Revised to 7-1-81	SLR	12			20
5	Revised to 7-1-85	SLR	13			21
6	July, 1987	TRL	14			22
7	OGIS 8/26/93	SAJ	15			23
8	O.G.I.S 9-1-96	J.E.B.	16			24

KANAWHA COUNTY
Office of Assessor
CHARLESTON, WEST VIRGINIA

MALDEN DISTRICT-23
Map No. 15A

Photo No.: 121
Date, Photography: April, May 1964
Scale: AS SHOWN
Date, Map: 3-31-66