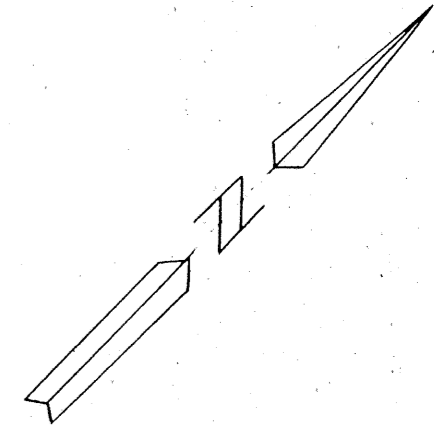


SEE DUNBAR 5

SEE DUNBAR 19



FOR TAX PURPOSES ONLY

AERO SERVICE
CORPORATION
A DIVISION OF LITTON INDUSTRIES
210 E. COURTLAND ST., PHILADELPHIA, PA. 19126

PREPARED BY

AMERICAN AIR SURVEYS, INC.
907 PENN AVENUE, PITTSBURGH 22, PA.
NEW YORK ATLANTA

Legend

Property line	Original lot line	(12)
Right of way line	Deed lot number (in parenthesis)	(99)
Edge of pavement or roadway	Parcel or index number (in circle)	(22)
Corporation line	Improvement	
District line	Railroad	
County line	Scaled Dimension	
Stream	Original block number	

Revisions

1	Revised 1/1/74	8.5	9	5-1-97	J.E.B.	17
2	8/7/74	DAVIS	10	1-1-99	J.E.B.	18
3	5-24-76	DS	11	2-21-2000	J.A.B.	19
4	1/31/79	NO	12	3-31-08	J.A.B.	20
5	Revised 10/1/82	DS	13			21
6	Revised 10/1/85	DS	14			22
7	July, 1987	TRL	15			23
8	O.G.I.S. 4-15-94	J.E.B.	16			24

KANAWHA COUNTY
Office of Assessor
CHARLESTON, WEST VIRGINIA

CITY OF DUNBAR 2c
Map No. 18

Photo No. 22-175, 176, 177 Scale: 1" = 100'
Date, Photography: April, May, 1964 Date, Map: 7-23-65