

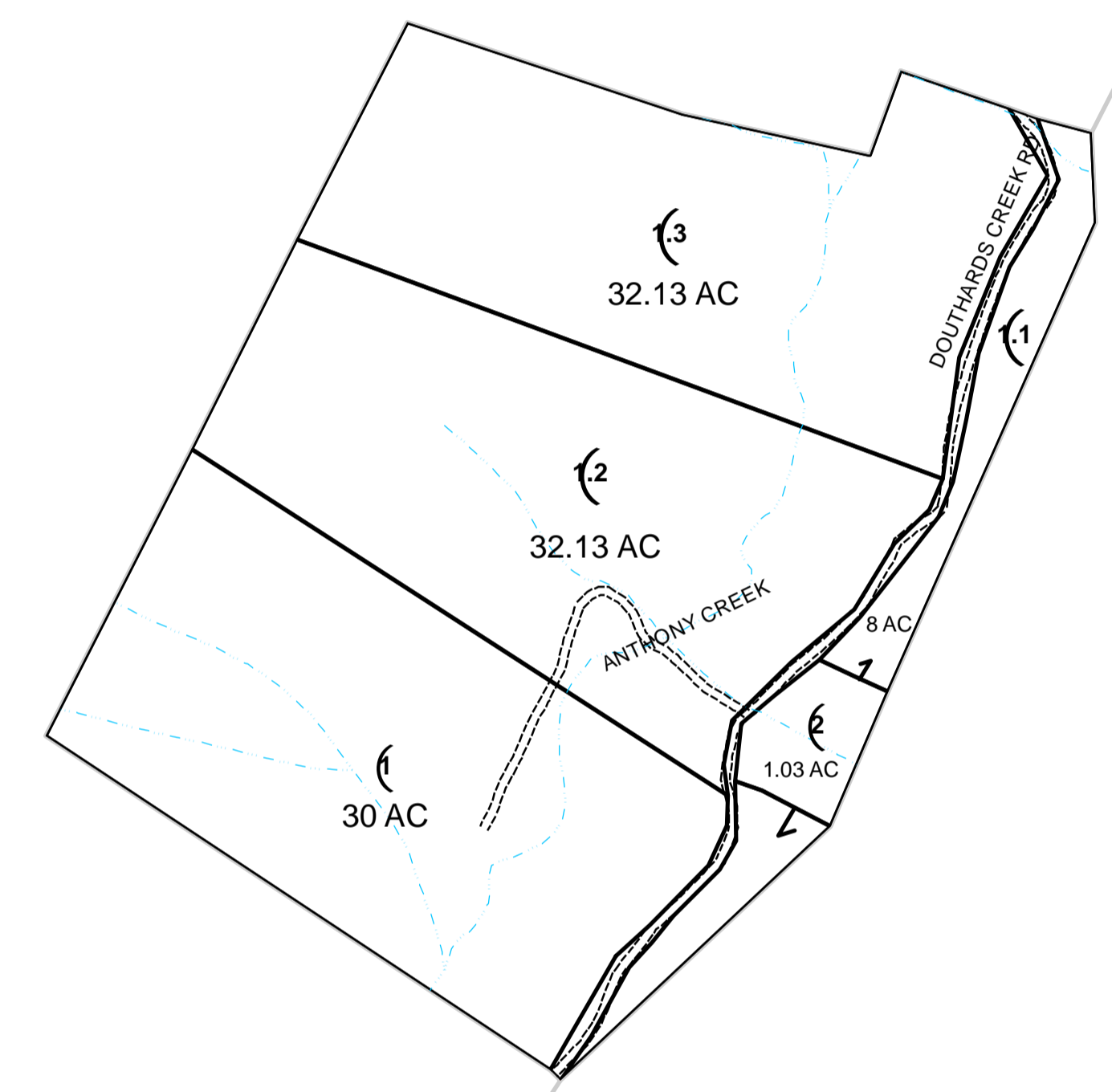
3

65

66

63

LITTLE LEVELS DIST.
HUNTERSVILLE DIST.



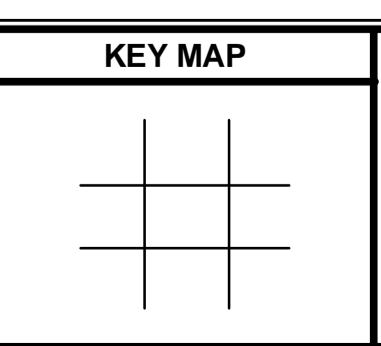
POCAHONTAS COUNTY
GREENBRIER COUNTY

For Tax Purposes Only
Prepared by
POCAHONTAS COUNTY ASSESSOR
MARLINTON, WV

Legend	
PARCEL BOUNDARY	—————
CORPORATION BOUNDARY	- - - - -
DISTRICT BOUNDARY	- · - · -
COUNTY BOUNDARY	- - - - -
RIGHT OF WAY	=====
ORIGINAL LOT LINE	- - - - -
PARCEL NUMBER	ⓔ
DEED LOT NUMBER	(15)
MATCH LINE	- · - · -
IMPROVEMENT	○
RAILROAD	+ + + + +

Revisions	
1	Oct. 15, 2007
2	
3	
4	
5	
6	
7	

RESTRICTION
All tax maps created under the provisions of reappraisal legislation are the property of the Pocahontas County Assessor's Office and the reproduction, copying, distribution or sale of such tax maps without the written permission of the State Tax Commissioner or the Assessor of Pocahontas County is prohibited by law.



COUNTY OF POCAHONTAS
OFFICE OF ASSESSOR
Marlinton, W. Va.

06 Huntersville
District **06 Huntersville** Map No. **64**
Date, Aerial Photography: Date, Map:
Photo No: Scale: 1" = 400'