

FOR TAX PURPOSES ONLY

PREPARED BY  
RALEIGH COUNTY ASSESSOR'S OFFICE  
BECKLEY, WV

RESTRICTION

ALL TAX MAPS CREATED UNDER THE PROVISIONS OF REAPPRAISAL LEGISLATION ARE THE PROPERTY OF RALEIGH COUNTY, WEST VIRGINIA. THE REPRODUCTION, COPYING, DISTRIBUTION OR SALE OF SUCH TAX MAPS OR ANY COPIES THEREOF WITHOUT THE WRITTEN PERMISSION OF THE RALEIGH COUNTY ASSESSOR IS PROHIBITED BY LAW.

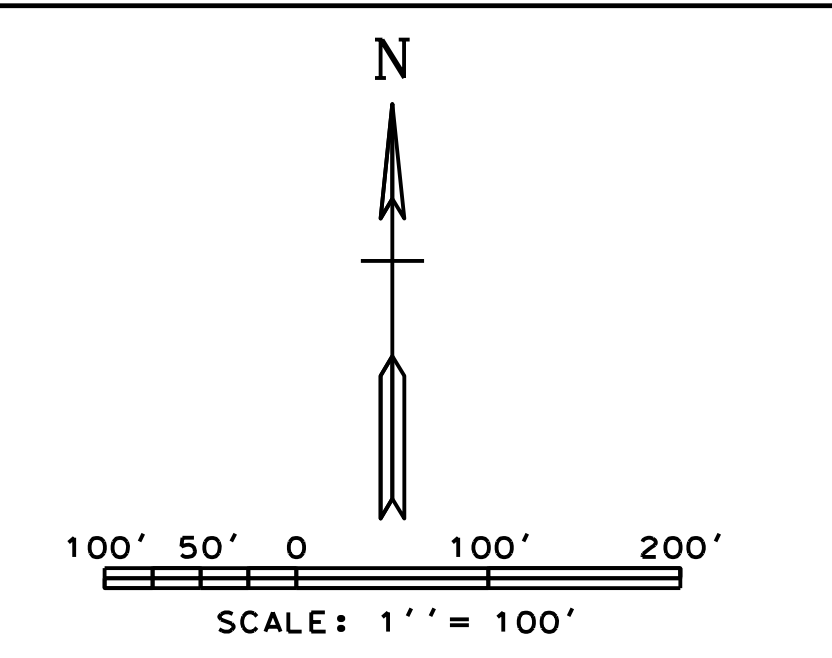
REVISIONS
07/14/00 CLG
02/04/02 CLG
11/11/03 CLG
09/06/06 CLG
08/23/08 ADL
01/26/09 TPB
04/03/09 TPB
04/15/09 TPB
02/01/10 TPB
05/11/11 TPB

TOWN DIST  
BECKLEY CORP

FAYETTE CO  
RALEIGH CO

01-17  
01-36

LEGEND	
7TH STREET	RIGHT-OF-WAY
PROPERTY LINE	PROPERTY LINE
ORIGINAL LOT LINE	ORIGINAL LOT LINE
(9)	DEED LOT NUMBER
(38.0)	PARCEL OR INDEX NUMBER
2012 CHANGE	2012 CHANGE
(2)	BLOCK NUMBER



COUNTY OF RALEIGH  
OFFICE OF ASSESSOR  
BECKLEY, WEST VIRGINIA

BECKLEY CORPORATION  
DISTRICT 01  
MAP NO. 10