

FOR TAX PURPOSES ONLY

PREPARED BY  
RALEIGH COUNTY ASSESSOR'S OFFICE  
BECKLEY, WV

RESTRICTION

ALL TAX MAPS CREATED UNDER THE PROVISIONS OF REAPPRAISAL LEGISLATION ARE THE PROPERTY OF RALEIGH COUNTY, WEST VIRGINIA. THE REPRODUCTION, COPYING, DISTRIBUTION OR SALE OF SUCH TAX MAPS OR ANY COPIES THEREOF WITHOUT THE WRITTEN PERMISSION OF THE RALEIGH COUNTY ASSESSOR IS PROHIBITED BY LAW.

REVISIONS
1 12/17/96 SCR
2 05/05/98 CLG
3 08/27/99 CLG
4 11/17/99 CLG
5 11/20/02 CLG
6 08/29/05 CLG
7 05/22/06 CLG
8 04/06/09 TPB
9 07/24/09 TPB
10 09/11/12 PRB

TOWN DIST  
BECKLEY CORP

FAYETTE CO  
RALEIGH CO

01-17  
01-36

LEGEND

--- CORPORATION/DISTRICT BOUNDARY AND NAME

--- COUNTY BOUNDARY AND NAME

--- ORIGINAL MAP BOUNDARY AND NUMBER

7TH STREET RIGHT-OF-WAY

PROPERTY LINE

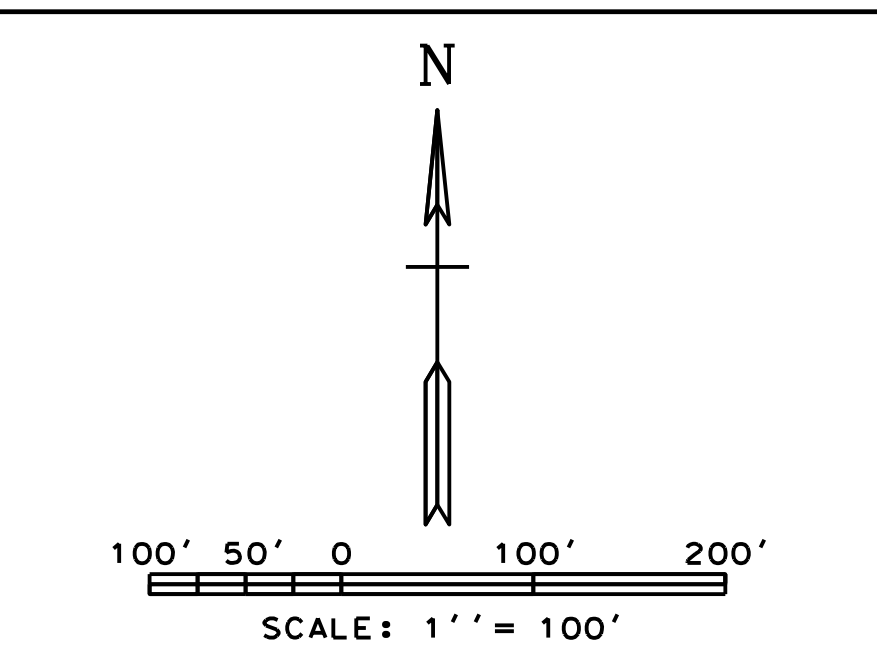
ORIGINAL LOT LINE

DEED LOT NUMBER

PARCEL OR INDEX NUMBER

2011 CHANGE

BLOCK NUMBER



COUNTY OF RALEIGH  
OFFICE OF ASSESSOR  
BECKLEY, WEST VIRGINIA

BECKLEY CORPORATION  
DISTRICT 01  
MAP NO. 14