

FOR TAX PURPOSES ONLY

PREPARED BY  
RALEIGH COUNTY ASSESSOR'S OFFICE  
BECKLEY, WV

RESTRICTION

ALL TAX MAPS CREATED UNDER THE PROVISIONS OF REAPPRAISAL LEGISLATION ARE THE PROPERTY OF RALEIGH COUNTY, WEST VIRGINIA. THE REPRODUCTION, COPYING, DISTRIBUTION OR SALE OF SUCH TAX MAPS OR ANY COPIES THEREOF WITHOUT THE WRITTEN PERMISSION OF THE RALEIGH COUNTY ASSESSOR IS PROHIBITED BY LAW.

REVISIONS
1 10/06/96 CLG
2 12/23/98 CLG
3 11/11/03 CLG
4 09/06/06 CLG
5 10/06/09 TPB
6 12/05/14 BIE
7 10/18/16 BIE
8
9
10

LEGEND

TOWN DIST BECKLEY CORP CORPORATION/DISTRICT BOUNDARY AND NAME

FAYETTE CO RALEIGH CO COUNTY BOUNDARY AND NAME

01-17 01-36 ORIGINAL MAP BOUNDARY AND NUMBER

7TH STREET RIGHT-OF-WAY

PROPERTY LINE

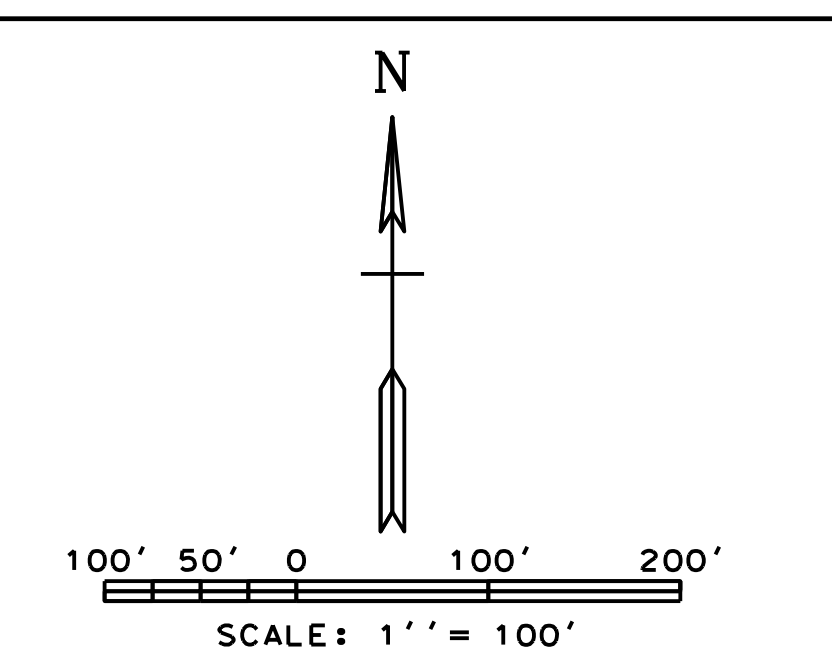
ORIGINAL LOT LINE

(9) DEED LOT NUMBER

(38.0) PARCEL OR INDEX NUMBER

(2) 2016 CHANGE

(2) BLOCK NUMBER



COUNTY OF RALEIGH  
OFFICE OF ASSESSOR  
BECKLEY, WEST VIRGINIA

BECKLEY CORPORATION  
DISTRICT 01  
MAP NO. 07