

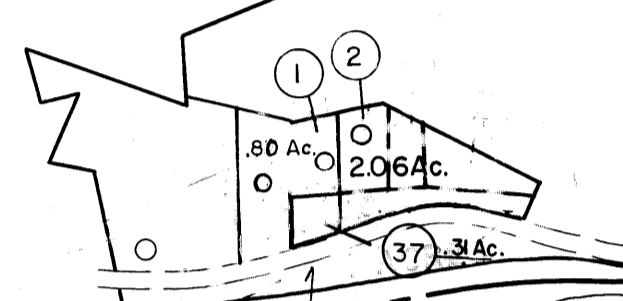
410 411
430 431

411 412
431 432

P/ 371-3

U.S.A.

U.S.A.

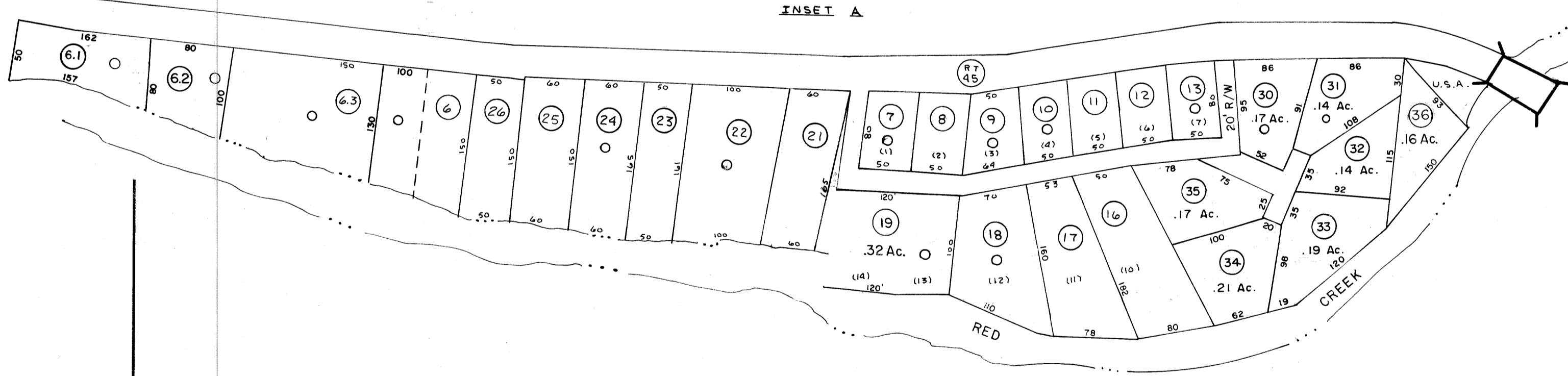


P/ 430-21.1

29
13.45 Ac.

51
.54 Ac.

INSET A



(LOC?)
28 .75 Ac.

DRY FORK DISTRICT
TUCKER COUNTY
RANDOLPH COUNTY

WEST
WEST VIRGINIA
VIRGINIA

430 431

431 432

For Tax Purposes Only

Prepared by
MICHAEL BAKER, JR., INC.
Consulting Engineers
Rochester, Pennsylvania

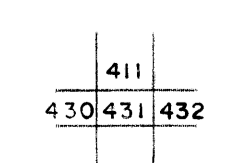
Legend

Property line	—————	Original lot line	-----
Edge of pavement or roadway	-----	Dead lot number	(15)
Corporation line	-----	Parcel or index number	(99)
District line	-----	Improvement	o
County line	-----	Railroad	+

Revisions

1	6-5-75	DC	9	OGIS	3-19-92	TL	17	ESI	2/20/03	REK
2	11-27-78	Da	10	OGIS	2/1/93	DSH	18			
3	REV. TO 7-1-83	NCS	11	OGIS	12/12/93	SAJ	19			
4	Revised to 7-1-87		12	OGIS	2-95	HD	20			
5	July, 1986	TRL	13	O.G.I.S	4-1-96	J.E.B	21			
6	Revised to 7-1-87		14	SLS INC.	1/28/99	DSW	22			
7	REV. TO 3-1-89	RE.B	15	SLS INC.	3/03/00	JAW	23			
8	OGIS	1/6/91	DSH	16	ESI	2/2/01	REK	24		

KEY MAP



TUCKER COUNTY

STATE OF WEST VIRGINIA

Office of Assessor

DISTRICT

DRY FORK

SHEET NO: 431

Date, Aerial Photography: Nov. 1961 Date, Map: Dec. 1962
Photo No: Scale: 1" = 400'