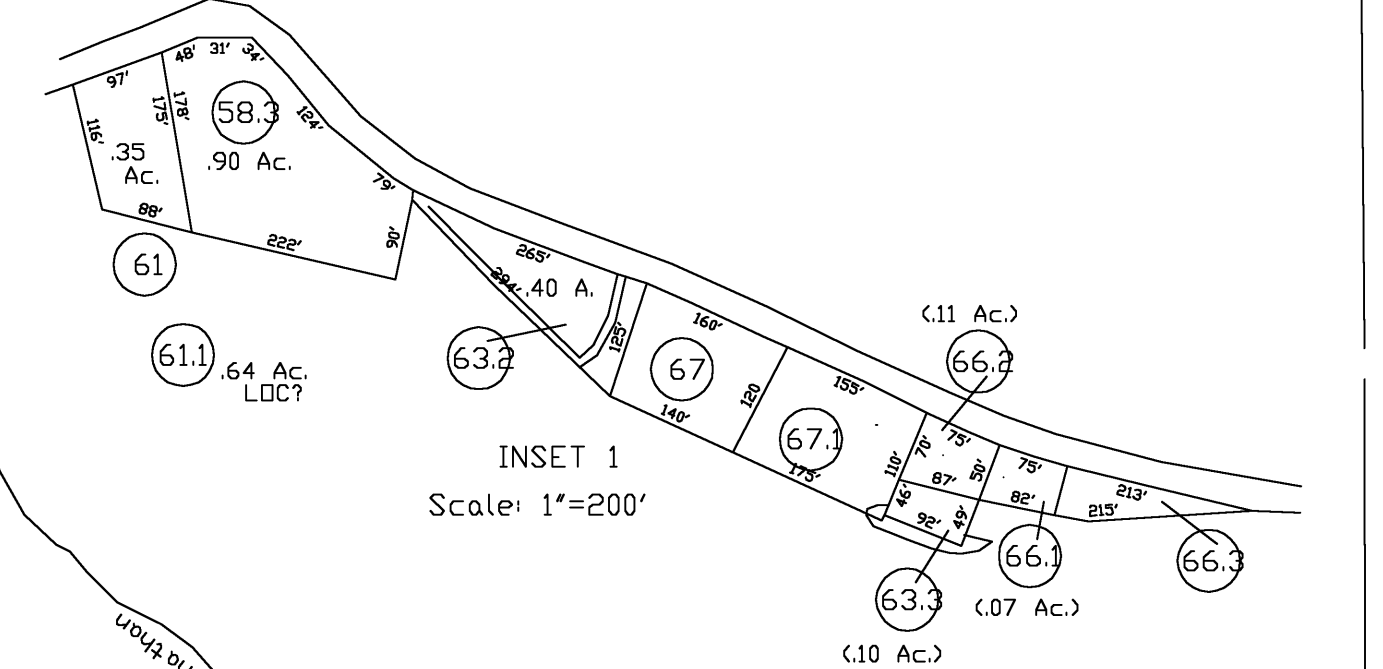
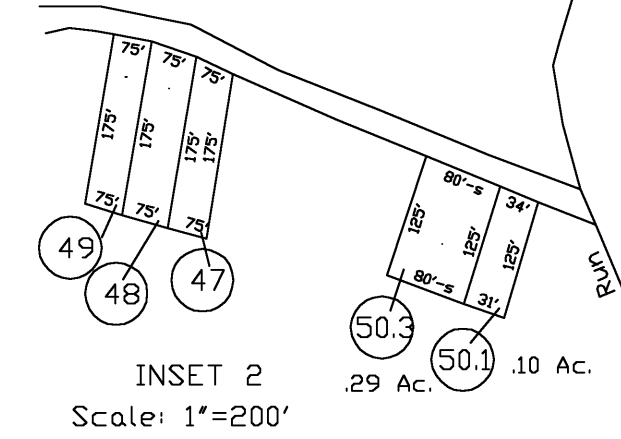


65/1	203.0' x 50.0' x 90.0' x 138.0'
65/2	50'-s x 150'-s x 180'-s x 50'-s x 180'-s
65/3	90.0' x 100.0'
65/4	100.0' x 200.0'
65/5	25.0' x 80.0'
65/6	25.0' x 80.0'
65/7	25.0' x 80.0'
65/8	25.0' x 80.0'



 For Tax Purposes Only Prepared by Dana Lynch, Assessor Webster County	LEGEND <table style="width:100%; border: none;"> <tr><td style="border: none;">Property line</td><td style="border: none;">———</td><td style="border: none;">Original lot line</td><td style="border: none;">- - - - -</td></tr> <tr><td style="border: none;">Edge of pavement or roadway</td><td style="border: none;">- - - - -</td><td style="border: none;">Deed lot number</td><td style="border: none;">(15)</td></tr> <tr><td style="border: none;">Corporation line</td><td style="border: none;">- - - - -</td><td style="border: none;">Parcel or index number</td><td style="border: none;">(99)</td></tr> <tr><td style="border: none;">District line</td><td style="border: none;">- - - - -</td><td style="border: none;">Improvement</td><td style="border: none;">o</td></tr> <tr><td style="border: none;">County line</td><td style="border: none;">- - - - -</td><td style="border: none;">Railroad</td><td style="border: none;">+ + + + +</td></tr> </table>	Property line	———	Original lot line	- - - - -	Edge of pavement or roadway	- - - - -	Deed lot number	(15)	Corporation line	- - - - -	Parcel or index number	(99)	District line	- - - - -	Improvement	o	County line	- - - - -	Railroad	+ + + + +	REVISIONS <table style="width:100%; border: none;"> <tr><td style="border: none;">1</td><td style="border: none;"> </td></tr> <tr><td style="border: none;">2</td><td style="border: none;"> </td></tr> <tr><td style="border: none;">3</td><td style="border: none;"> </td></tr> <tr><td style="border: none;">4</td><td style="border: none;"> </td></tr> <tr><td style="border: none;">5</td><td style="border: none;"> </td></tr> <tr><td style="border: none;">6</td><td style="border: none;"> </td></tr> <tr><td style="border: none;">7</td><td style="border: none;"> </td></tr> <tr><td style="border: none;">8</td><td style="border: none;"> </td></tr> </table>	1		2		3		4		5		6		7		8		RESTRICTION All tax maps created under the provisions of reappraisal legislation are the property of the Assessor of Webster County, West Virginia and the reproduction, copying, modification, distribution or sale of such tax maps or any copies thereof without the written permission of the Webster County Assessor is prohibited by law	KEY MAP 	<h2 style="margin: 0;">WEBSTER COUNTY</h2> <p style="margin: 0;">STATE OF WEST VIRGINIA</p> <p style="margin: 0;">Office of Assessor</p>	DISTRICT <h2 style="margin: 0;">GLADE</h2> <p style="margin: 0;">SHEET NO: 6-S</p> <p style="margin: 0; font-size: small;">Date, Aerial Photography: 4-23-60 Photo No: WE-22-182</p> <p style="margin: 0; font-size: small;">Date, Map Scale: 1"</p>
Property line	———	Original lot line	- - - - -																																							
Edge of pavement or roadway	- - - - -	Deed lot number	(15)																																							
Corporation line	- - - - -	Parcel or index number	(99)																																							
District line	- - - - -	Improvement	o																																							
County line	- - - - -	Railroad	+ + + + +																																							
1																																										
2																																										
3																																										
4																																										
5																																										
6																																										
7																																										
8																																										