



FOR TAX PURPOSES ONLY

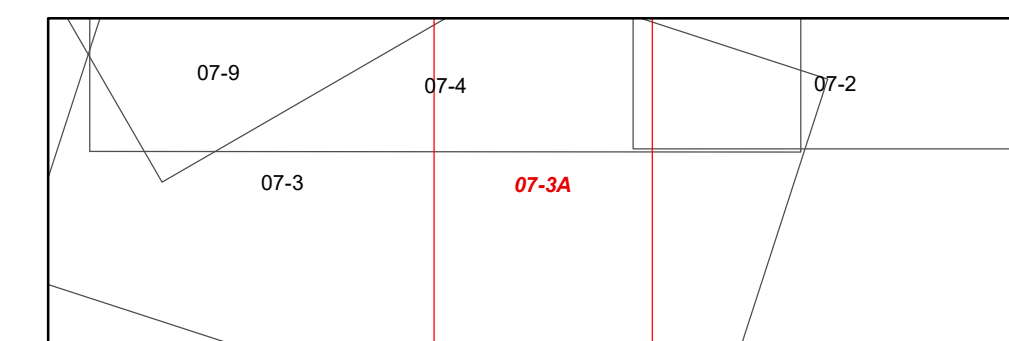
Prepared By:  
**Debbie Weaver**  
 Morgan County Assessor

**Legend**

Property Line	Original Lot Line	Lot Number (15)
Road Right of Way	Parcel Number (99)	
Corporation Line	Water	
District Line	Railroad	
County Line		

R	1	Revised 03/04/2019	9	17
e	2	Revised 01/20/2020	10	18
v	3	Revised 11/29/2020	11	19
i	4	Revised 01/25/2022	12	20
s	5	Revised 01/26/2023	13	21
o	6	Revised 01/29/2024	14	22
n	7		15	23
s	8		16	24

**STATE OF WEST VIRGINIA**  
**COUNTY OF MORGAN**  
 Office of Assessor



**SLEEPY CREEK DISTRICT**  
 Map: 3A  
 Date, Aerial Photography: 2003  
 Date, Map: 1/29/2024  
 Scale: 1" = 200'